

# Modern Maid

BUILT-IN ELECTRIC  
KITCHEN APPLIANCES



FET 100	FET 180	FET 120
FET 170	FET 178	
FET 136	FET 150	
FET 130	FET 140	

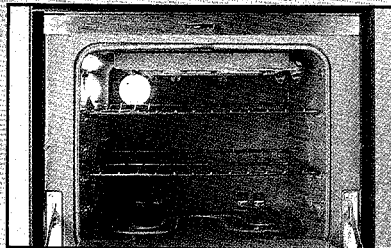
**M**odern Maid Slide-In and Drop-In Ranges — Versatile performance for your kitchen. Choose a Drop-In Range — Modern Maid's true built-in. Or, choose a Slide-In Range — a range that looks built-in because of Modern Maid's exclusive one piece overlapping chrome top. All have incredible good looks with versatile Modern Maid Features.

**Five Interchangeable Cartridges (Model FDU-170 and FDU-160 only) —**

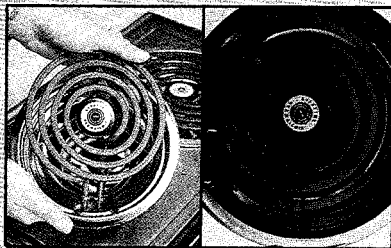
Easy-to-change, easy-to-store cartridges — the Grille for char-flavor steaks, a Griddle, Perma-Coil Elements, Black Ceramic Glass or Solid Disc Elements.



**Self Cleaning** — No more time-consuming clean-ups. Modern Maid's Self Cleaning Oven does the dirty work for you — just set it, latch it and forget it. The entire oven, door and window stay clean for a few cents a month.



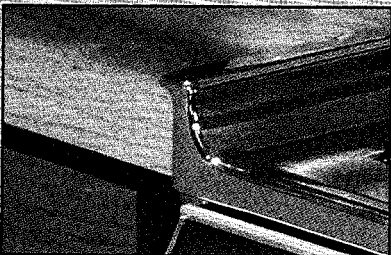
**Exclusive Perma-Coil® Plug-In Elements with Lifetime Warranty** — These exclusive elements provide more coil turns for support and even heat distribution. They're guaranteed for life so you'll never have a replacement cost.



**Exclusive Slo-Cook** — Cook with the flavor of crockery style cooking. Slo-Cook a meal, unattended, in 6 - 10 hours. Even inexpensive cuts of meat are moist and tender with less shrinkage.



**One Piece Overlapping Top** — A built-in look that's also functional. Overlapping edges provide a sleek custom look while preventing messy, time consuming spillovers between range and cabinet.



**Model No. FDU-170 Slide-In Range**

- Self Cleaning Oven
- Radial Clock
- Automatic Timed Oven System
- Exclusive Slo-Cook
- Overlapping Chrome Top
- Convertible Cartridge Cooktop
- Lift-Off See-Through Oven Door
- Full Width Storage Drawer
- One Perma-Coil Element Cartridge, one Grille Cartridge, Black Glass Door and 4" Backrail shipped in place.

**Model No. FDU-160 Drop-In Range**

- Self Cleaning Oven
- Radial Clock
- Automatic Timed Oven System
- Exclusive Slo-Cook
- Overlapping Chrome Top
- Convertible Cartridge Cooktop
- Lift-Off See-Through Oven Door
- One Perma-Coil Element Cartridge, one Grille Cartridge, Black Glass Door and Mini-Rail shipped in place.

**Model No. FDU-146 Slide-In Range**

- Self Cleaning Oven
- Radial Clock
- Automatic Timed Oven System
- Exclusive Slo-Cook
- Exclusive Perma-Coil Elements
- Overlapping Chrome Top
- Lift-Off See-Through Oven Door
- Full Width Storage Drawer
- Black Glass Door and 4" Backrail shipped in place.

**Model No. FDU-158 Drop-In Range**

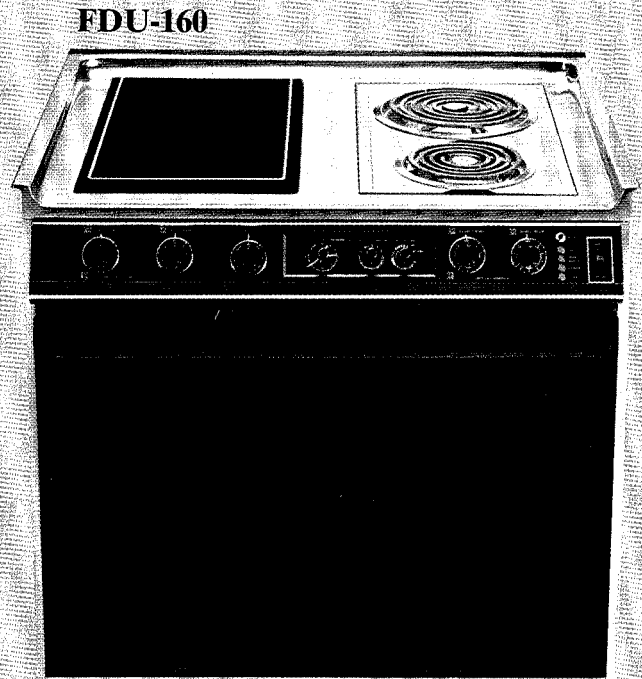
- Self Cleaning Oven
- Radial Clock
- Automatic Timed Oven System
- Exclusive Slo-Cook
- Exclusive Perma-Coil Elements
- Overlapping Chrome Top
- Lift-Off See-Through Oven Door
- Black Glass Door and Mini-Rail shipped in place.

**Note:** All features not available on all models. Refer to Feature Finder for specific model features.





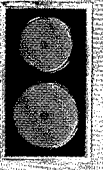
# Modern Maid Slide-In/Drop-In Ranges



**EDU-170**

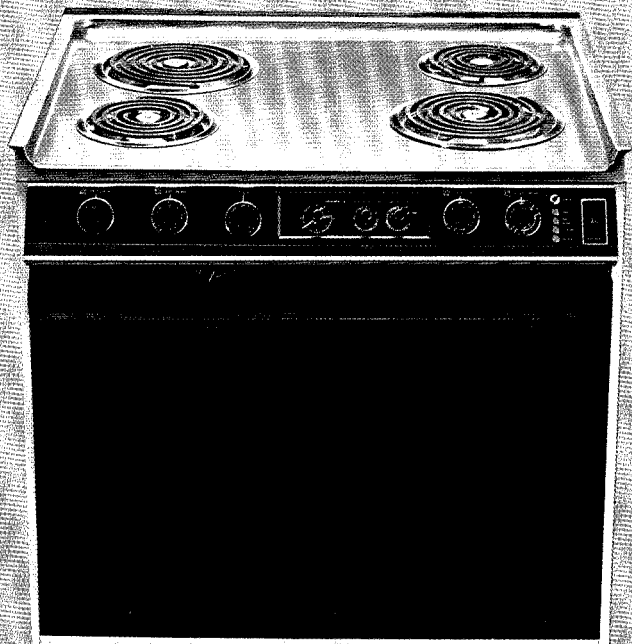


**Available Cartridges for EDU-170 and EDU-160:**

				
<b>XST-306</b> Grille	<b>XST-329</b> Griddle	<b>XST-305</b> Perma-Coil Elements	<b>XST-307</b> Ceramic Glass	<b>XST-102</b> Solid Disc Elements



**EDU-146**



**EDU-158**

**F**rom everyday cooking to gourmet entertaining, Modern Maid gives you the cooking flexibility you need. Choose a Downdraft Cooktop with five interchangeable accessories, or one with Solid Disc Elements. There's even a cooktop with space saving two element design.

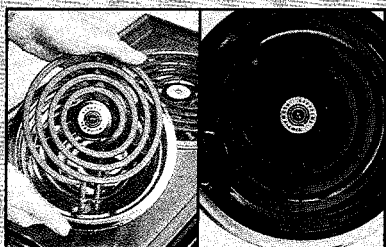
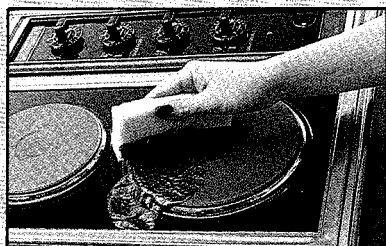
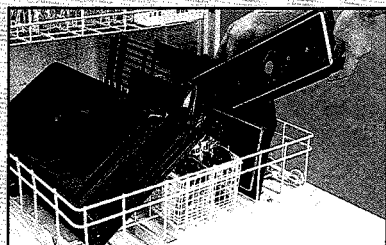
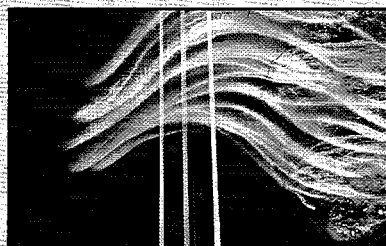
#### Style . . .

Modern Maid offers you sleek, contemporary International Designer Styling. From black glass cooktops with sealed disc elements to built-in grille/griddle accessories Modern Maid designs complement any kitchen decor.

#### Easy-Care

Modern Maid's easy-care cooktops save you time and energy. Raised outer edges contain spillovers on the cooktop surface. Control knobs, elements and burner bowls lift off for easy washing. Some tops lift up, giving you access to the porcelainized burner box for quick clean-up with a damp sponge or cloth. The glass cooktops with sealed disc elements require no underneath maintenance as they have no drip pans.

Whatever your needs, Modern Maid gives you cooking versatility with built-in good looks.



#### Five Interchangeable Cartridges (Models FET-100 and FET-170) —

Easy-to-change, easy-to-store cartridges — the Grille for char-flavor steaks, a Griddle, Perma-Coil Elements, Black Ceramic Glass or Solid Disc Elements.

**Wisp-Air™ Vent System** — Modern Maid's exclusive Vent System draws smoke from cooking juices over the meat for true char-flavor. Smoke and odor are efficiently drawn down and out of the house.

**Exclusive Easy Clean** — Modern Maid makes clean-up easy! Grilles, Griddles, Filters and even Control Panels slip into the dishwasher. Raised outer edges contain spills that can be wiped clean with a damp sponge.

**Solid Disc Elements** — Elements as good looking as they are functional. With twice the effective heating surface for even heat distribution and better cooking control, these sealed elements wipe clean with a damp sponge.

**Grille Indoors, All Year Around!** — Enjoy outdoor grilled flavor indoors with Modern Maid's Cartridge Grille. Grille drops in and lifts out with ease. Dishwasher safe for easy care.

**Exclusive Perma-Coil Plug-In Elements with Lifetime Warranty** — These exclusive elements provide more coil turns for support and even heat distribution. They're guaranteed for life so you'll never have a replacement cost.

**Note:** All features not available on all models. Refer to Feature Finder for specific model features.

## Modern Maid Electric Cooktops

**T**he unique downdraft cartridge cooktops that are as versatile as your life demands. Five interchangeable cartridges make this Downdraft Cooktop the star of any kitchen.

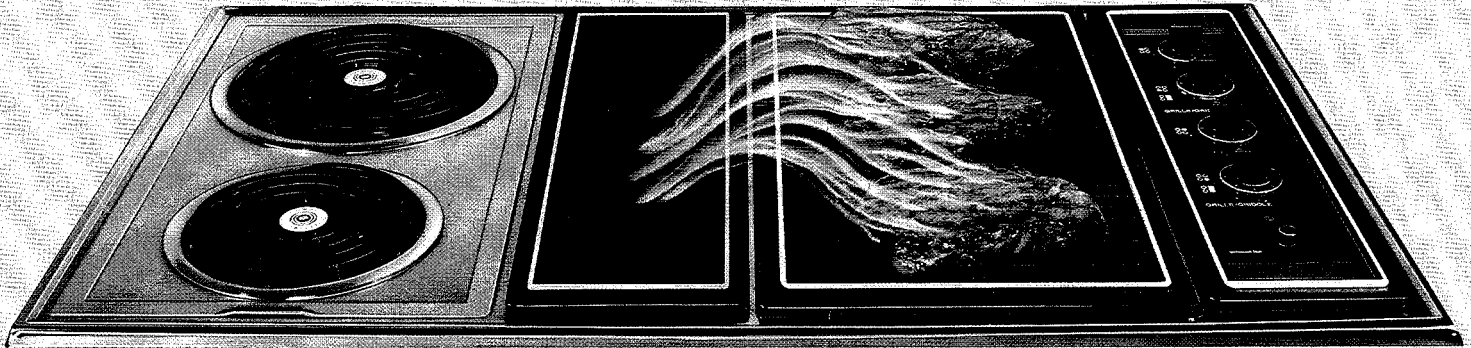
You create the cooking appliance you want — the

Grille for outdoor grilled flavor, indoors, or the teflon coated Griddle for breakfast foods.

For more conventional cooking choose Modern Maid's Lifetime Perma-Coil Elements, Black Ceramic Glass Elements or the European designer style Solid Disc Elements.

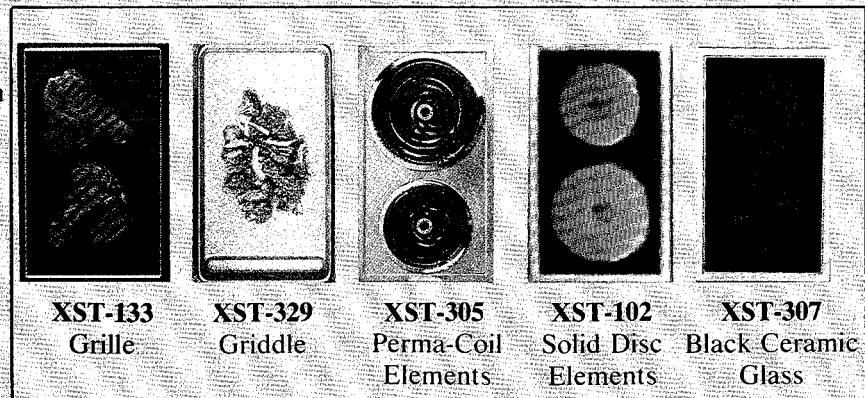
Best of all Modern Maid makes clean-up easy! Grilles and Griddles slip into the dishwasher along with the filters, vent cover and control panel.

Suitable for countertop or island installation, Modern Maid's Downdraft Cooktop truly is as versatile as your life.



### Model No. FET-100 36" Downdraft Cartridge Cooktop

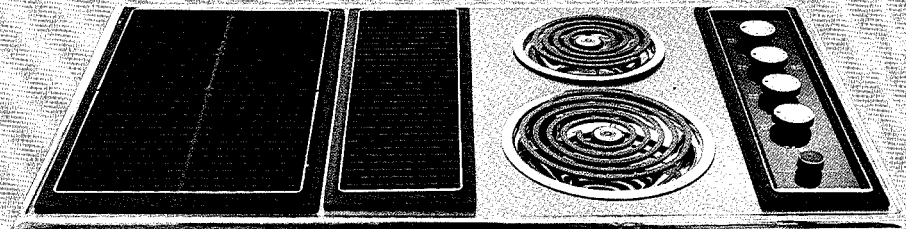
- Exclusive Wisp-Air-Vent System
- Five Optional Interchangeable Accessories: 2400 Watt Grille, Griddle, Lifetime Perma-Coil Plug-In Elements, Black Ceramic Glass, Solid Disc Elements
- Raised Outer Edges
- Side Mounted Controls
- Easy-To-Remove Control Panel
- Two-Piece Lift-Out Filter
- Independent Vent Switch
- International Designer Styling
- Self Ventilating Motor



Available in Brushed Chrome only. Shipped standard with one Grille Cartridge (XST-133)

in place. An additional cartridge must be ordered to complete unit.

**Model No. FET-170  
36" Downdraft Cartridge Cooktop** — This cooktop offers the same features as the FET-100. Perma-Coil Elements (one 8", 2000 Watt and one 6" 1250 Watt) are fixed on right side of main top. All Interchangeable Cartridges are adaptable to left side only.



**M**odern Maid Designer Series Solid Disc Cooktops make your kitchen a showplace. Solid Disc Elements sealed in tempered black glass complete the latest in designer kitchen appliances.

The flat, heavy cast iron elements have twice the effective heating surface of tubular elements for uniform heat distribution. Even chocolate melts without burning or sticking.

For everyday cleaning simply wipe the surface with a damp cloth. If a spillover occurs, spills flow to a cool area on the cooktop surface for easy cleaning. No sticky, burned-on messes, no drip pans to clean.



**Model No. FET-136**  
**36" Black Glass Cooktop**

- Tempered Black Glass Cooktop Surface
- Two 8" and Two 6" Sealed Solid Disc Elements
- Non-Slide Element Surfaces
- International Designer Styling

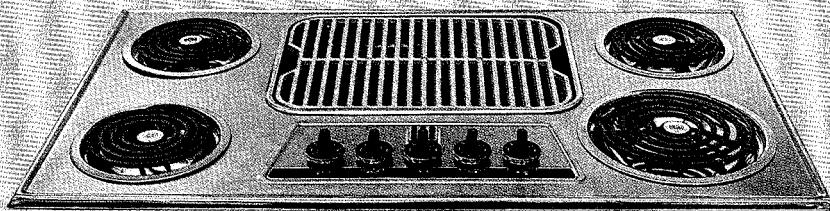
Designed to allow for installation of a drawer or cabinet underneath.



**Model No. FET-130**  
**30" Black Glass Cooktop**

- Tempered Black Glass Cooktop Surface
- Two 8" and Two 6" Sealed Solid Disc Elements
- Non-Slide Element Surfaces
- International Designer Styling

Designed to allow for installation of a drawer or cabinet underneath.



**Model No. FET-180**  
**36" Grille Cooktop**

- Interchangable Grille/Griddle with Cover
  - Exclusive Perma-Coil Plug-In Elements with Lifetime Warranty
  - Chrome Drip Bowls
  - Raised Outer Edges
  - Raised Control Panel
  - Lift-Up Top with Support Rod
  - Porcelain Burner Box
- Requires Modern Maid 400 CFM Ventilation Hood. Available in Brushed Chrome, Almond, White and Harvest.

## Modern Maid Electric Cooktops

**M**odern Maid creates a stylish cooktop with a choice of today's most popular colors to complement your kitchen decor.

These easy-care cooktops have raised outer edges to contain spillovers on the cooktop surface. Tops lift up to permit fast, easy clean-up in the porcelainized pan underneath.

space-saving cooktop with two elements. These elements are warranted for lifetime performance.

Modern Maid cooktops — stylish performance with all the features you could ever want.

And for those small areas, Modern Maid presents a

### **Model No. FET-178** **36" Super-Thin Cooktop**

- Exclusive Perma-Coil Plug-In Elements with a Lifetime Warranty
- Chrome Drip Bowls
- Raised Outer Edges
- Raised Control Panel
- Lift-Up Top with Support Rod
- Porcelain Burner Box

Designed to allow for installation of a drawer or cabinet underneath.

Available in Brushed Chrome, Almond, White and Harvest.

### **Model No. FET-150** **30" Super-Thin Cooktop**

- Exclusive Perma-Coil Plug-In Elements with Lifetime Warranty
- Chrome Drip Bowls
- Raised Outer Edges
- Raised Control Panel
- Lift-Up Top with Support Rod
- Porcelain Burner Box

Designed to allow for installation of a drawer or cabinet underneath.

Available in Brushed Chrome, Almond, White and Harvest.

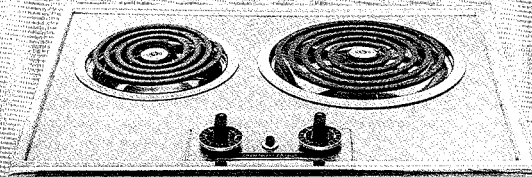
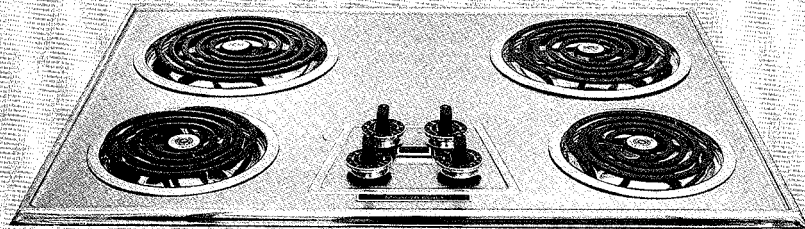
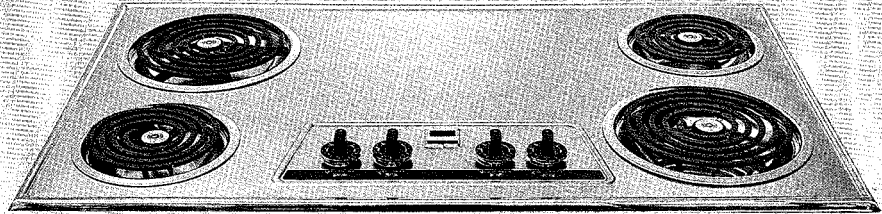
### **Model No. FET-140** **20" Cooktop**

- Two Element Design
- Exclusive Perma-Coil Plug-In Elements with Lifetime Warranty
- Chrome Drip Bowls
- Raised Control Panel

Available in Brushed Chrome.

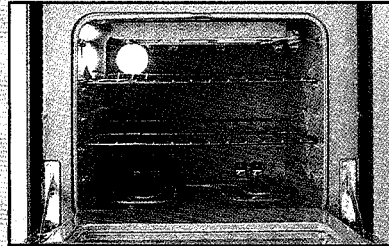
### **Model No. FET-120** **30" Cooktop**

Identical to FET-140 except requires 120 V instead of 240 V.

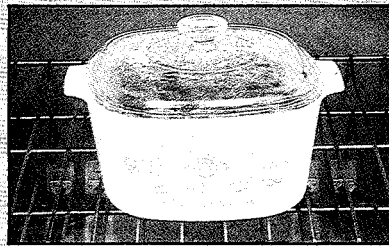


**M**odern Maid Wall Ovens — beautiful European Styling and great built-in performance combine to save you work, time and energy. Modern Maid Wall Ovens offer you a wide variety of cooking features to bring out the master chef in you.

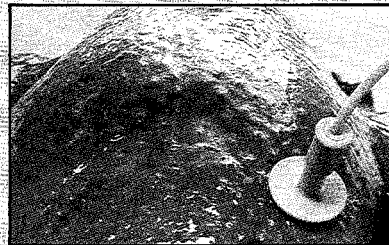
**Self Cleaning** — No more messy, time-consuming clean-ups. Modern Maid's Self Cleaning feature does the dirty work for you — just set it, latch it and forget it. The oven, door and window stay sparkling clean for just a few cents.



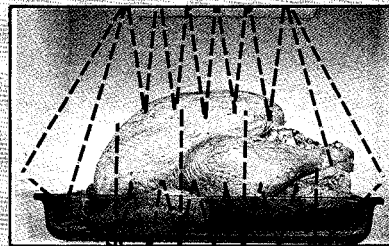
**Exclusive Slo-Cook** — Cook with the old-fashioned flavor of crockery style cooking. You can Slo-Cook a meal, unattended in 6-10 hours. Even inexpensive cuts of meat are moist and tender.



**Roast Meter with Automatic Meat Probe** — No over cooking or under cooking expensive cuts of meat. The Automatic Meat Probe registers food's internal temperature for perfect roast, turkey or ham.



**Twin-Wave Microwave System (Model FDO-162)** — This unique system evenly cooks food without interrupting the cooking cycle. Twin Wave microwave energy from top and bottom of oven eliminates the need to rotate dishes.



**Automatic Timed Oven System** — Cook while you are away from your kitchen. Simply preset the desired "on" and "off" cooking times. Your meal is ready when you are. Now that's cooking convenience!



**Model No. DDO-790**  
**26½" Double Wall Oven**

- Two Oversized Self Cleaning Bake/Broil Ovens
  - Digital Clock
  - Automatic Timed Oven System
  - Exclusive Slo-Cook
  - Roast Meter with Automatic Meat Probe
  - Closed Door Broiling
  - Oven Lights
  - Lift-Off See-Thru Black Glass Oven Doors
  - International Designer Styling
- Black Glass Doors shipped in place.

**Model No. DDO-750**  
**26½" Single Wall Oven**

- Oversized Self Cleaning Bake/Broil Oven
  - Digital Clock
  - Automatic Timed Oven System
  - Exclusive Slo-Cook
  - Closed Door Broiling
  - Lift-Off See-Through Black Glass Oven Door
  - International Designer Styling
- Black Glass Door shipped in place

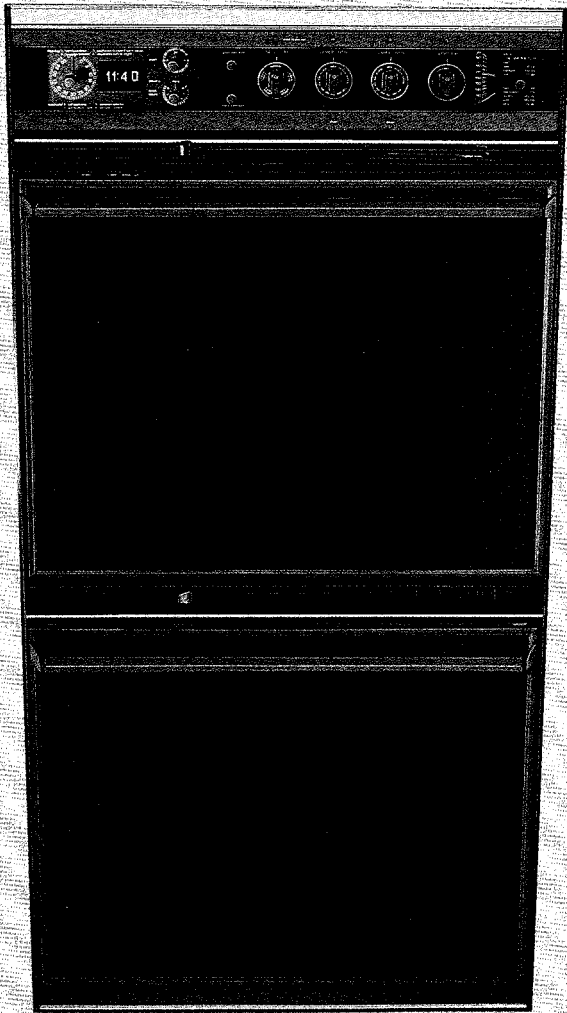
**Model No. FDO-162**  
**26½" Combination Wall Oven**

- 625 Watts Variable Microwave Power
  - Five Memory Levels
  - Twin Wave Microwave System
  - Automatic Multi-Stage Cooking
  - Roast Meter with Automatic Meat probe
  - Cooking Program Guide
- Lower Bake/Broil Oven has:
- Self Cleaning Oven/Broiler
  - Digital Clock
  - Automatic Timed Oven System
  - Exclusive Slo-Cook
  - Closed Door Broiling
  - Lift-Off See-Thru Black Glass Oven Door
  - International Designer Styling
- Black Glass Doors shipped in place.

Note: All features not available on all models. Refer to Feature Finder for specific model features.



# Modern Maid Electric Wall Ovens



**DDO-790**

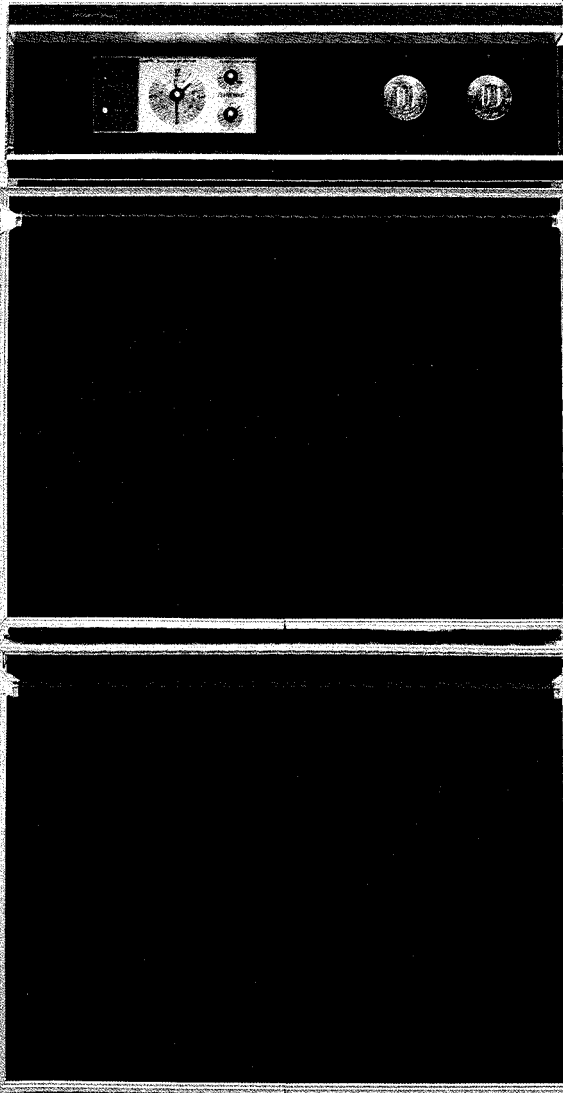


**FDO-162**

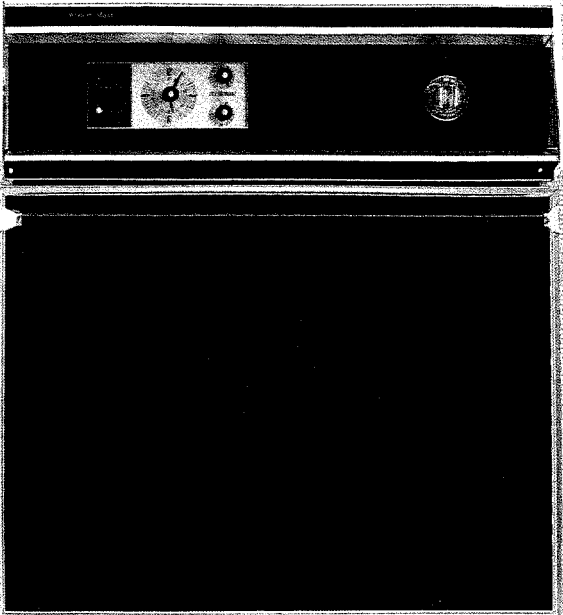


**DDO-750**

## Modern Maid Electric Wall Ovens



**DCO-480**



**DCO-450**

**M**odern Maid spacious built-in wall ovens handle any cooking task.

Offering dependable Modern Maid engineering, these built-ins have performance features that save you time and energy. Choose the double or single wall oven; both have Perma-Clean continuous cleaning, smokeless, closed door broiling and Modern Maid built-in good looks.

### **Model No. DCO-480 23 $\frac{3}{4}$ " Double Wall Oven**

Modern Maid's Double Wall Oven with Perma-Clean Continuous Cleaning.

- Oversized Bake/Broil Upper Oven
- Full Size Bake Lower Oven
- Two Perma-Clean Continuous Cleaning Ovens
- Radial Clock
- Automatic Timed Oven System
- Closed Door Broiling
- Lift-Off See-Through Black Glass Oven Door
- International Designer Styling

Black Glass Doors shipped in place.

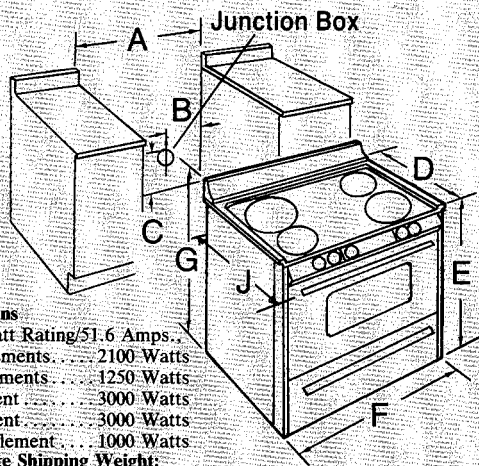
### **Model No. DCO-450 23 $\frac{3}{4}$ " Single Wall Oven**

Modern Maid's Single Wall Oven with Perma-Clean Continuous Cleaning.

- Oversized Bake/Broil Perma-Clean Continuous Cleaning Oven
- Radial Clock
- Automatic Timed Oven System
- Closed Door Broiling
- Removable Porcelain Oven Bottom
- Lift-Off See-Through Black Glass Oven Doors
- International Designer Styling

Black Glass Door shipped in place.

## SLIDE-IN/DROP-IN RANGES



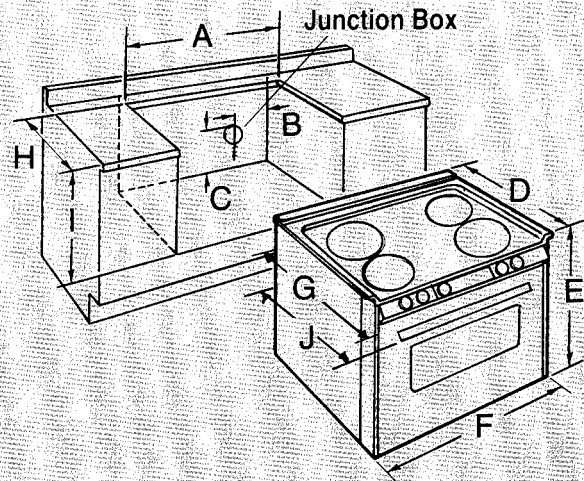
**FDU-146/  
FDU-158**

### Specifications

12.4 Kilowatt Rating/51.6 Amps.,  
2 Large Elements . . . . . 2100 Watts  
2 Small Elements . . . . . 1250 Watts  
Broil Element . . . . . 3000 Watts  
Bake Element . . . . . 3000 Watts  
Slo-Cook Element . . . . . 1000 Watts  
**Approximate Shipping Weight:**  
FDU-146: 230 lbs. FDU-158: 175 lbs.

### FDU-170/FDU-160 Specifications

Broil Element . . . . . 3000 Watts  
Bake Element . . . . . 3000 Watts  
Slo-Cook Element . . . . . 1000 Watts  
**Approximate Shipping Weight:** FDU-170: 215 lbs. FDU-160: 190 lbs.



Dimensions	A	B	C	D	E	F	G	H	I	J
<b>FDU-170 Slide-In</b>	30"	22 1/8"	4 3/4"	25 5/16"	36 1/4" min.	29 7/8"	40 5/16" min.			28 1/4"
<b>FDU-160</b>	30"	7 1/2"	7 1/2"	24 1/8"	27 7/8"	29 7/8"	25 5/16"	23 1/2"	27 1/32"	28 1/4"
<b>FDU-146 Slide-In</b>	30"	22 1/8"	4 3/4"	25 5/16"	36 1/4" min.	29 7/8"	40 5/16" min.			28 1/4"
<b>FDU-158</b>	30"	7 1/2"	7 1/2"	24 1/8"	27 7/8"	29 7/8"	25 5/16"	23 1/2"	27 1/32"	28 1/4"

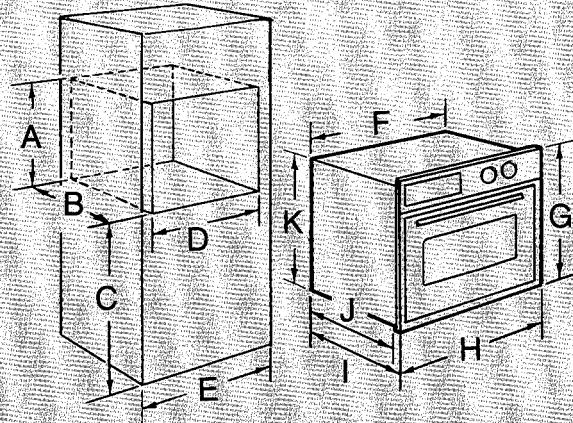
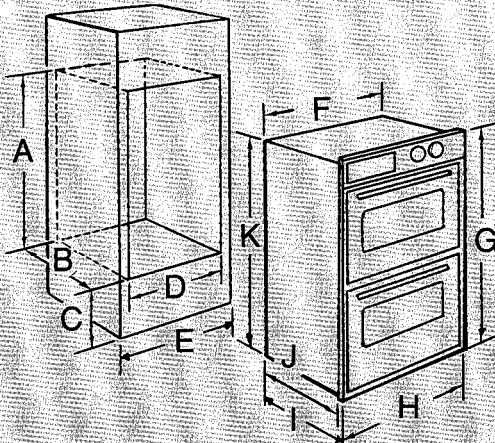
\*With Mini-Rail

### FDU-170/160 Cartridge Specifications

- **Perma-Coil® XST-305:** 240 Volts, 14.0 Amps., 60 Hz., 8" Element - 2100 Watts, 6" Element - 1250 Watts

- **Grille XST-306, Griddle XST-329:** 240 Volts, 1800 Watts, 7.5 Amps., 60 Hz.
- **Black Ceramic Glass XST-307:** 240 Volts, 2400 Watts, 10 Amps., 60 Hz.

## ELECTRIC WALL OVENS



Dimensions	A	B	C	D	E	F	G	H	I	J	K
<b>DDO-790</b>	52 3/8"	23 3/4"	12 1/2"	25"	27 1/2"	24 1/2"	52 3/8"	26 9/8"	24 3/4"	23 3/4"	52 1/8"
<b>EDO-162</b>	46 1/4"	23 3/4"	18 7/8"	25"	27 1/2"	24 1/2"	46 1/4"	26 1/2"	24 3/4"	23 3/4"	45 3/4"
<b>DCO-480</b>	45 1/2"	23 3/4"	15"	22"	24 1/2"	21 1/8"	45 1/2"	23 3/4"	23 1/2"	22 1/4"	44"

Dimensions	A	B	C	D	E	F	G	H	I	J	K
<b>DDO-750</b>	29 7/8"	23 3/4"	35"	25"	27 1/2"	24 1/2"	30 3/8"	26 1/2"	24 3/4"	23 3/4"	29 5/8"
<b>DCO-450</b>	26 1/2"	23 3/4"	34"	22"	24 1/2"	21 7/8"	27"	23 3/4"	23 1/2"	22 1/2"	25 1/8"

\*Minimum

### DDO-790 Specifications:

7.7 Kilowatt Rating/31 Amps., 120-240 Volts  
AC Single Phase, 3 Wire, 60 Cycle  
Broil Element . . . . . 2800 Watts  
Bake Element . . . . . 2500 Watts  
Slo/Cook Element . . . . . 250 Watts  
**Junction Box:** 9" from left side of unit and 5" above unit.

### Interior Oven Sizes:

Width - 19 1/4", Depth - 18 3/8", Height - 16"  
**Approximate Shipping Weight:** 310 lbs.

### DCO-480 Specifications:

6.2 Kilowatt Rating/25.8 Amps., 120-240 Volts, AC Single Phase, 3 Wire, 60 Cycle  
Broil Element . . . . . 3000 Watts  
Bake Element . . . . . 2500 Watts  
**Junction Box:** 6" from left side of unit and 5 1/2" down from top of unit.  
**Interior Oven Size:** Width - 18 3/4", Depth - 19 1/2", Height - 16"  
**Approximate Shipping Weight:** 135 lbs.

### FDO-162 Specifications:

**Microwave Oven:**  
120 Volts, 11.2 Amps., 60 Hz. AC Only.  
625 Nominal Wattage Output.  
**Lower Oven:**  
Broil Element . . . . . 2800 Watts  
Bake Element . . . . . 2500 Watts  
Slo/Cook Element . . . . . 250 Watts  
**Junction Box:** 9" from left side of unit and 5" above unit.  
**Lower Interior Oven Sizes:** Width - 22", Depth - 18 3/4", Height - 16", Projection of door in open position - 22"  
**Approximate Shipping Weight:** 215 lbs.

**Note:** These dimensions are not intended for use as final installation specifications. Refer to installation instructions packed with unit for complete information. Consult local codes before wiring.

### DDO-750 Specifications:

4.4 Kilowatt Rating/18.4 Amps., 120-240 Volts, AC Single Phase, 3 Wire, 60 Cycle  
Broil Element . . . . . 2800 Watts  
Bake Element . . . . . 2500 Watts  
Slo-Cook Element . . . . . 250 Watts  
**Junction Box:** 9" from left side of unit and 5" above unit.  
**Interior Oven Size:** Width - 19 1/4", Depth - 18 3/8", Height - 16"  
**Approximate Shipping Weight:** 170 lbs.

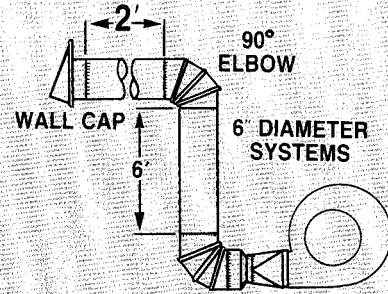
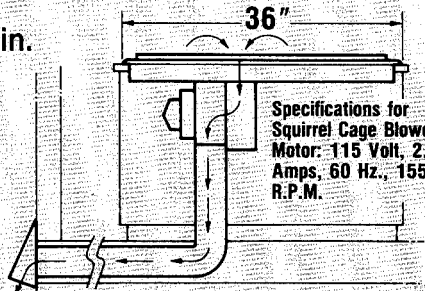
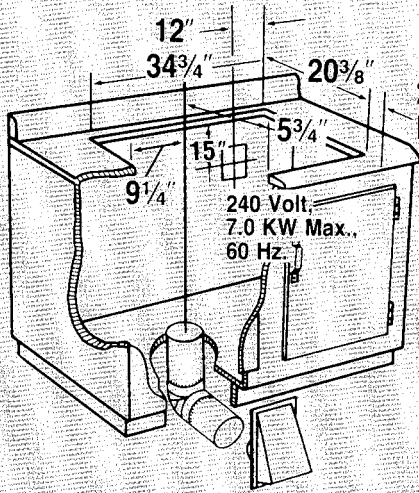
### DCO-450 Specifications:

3.7 Kilowatt Rating/15 Amps., 120-240 Volts, AC Single Phase, 3 Wire, 60 Cycle  
Broil Element . . . . . 3000 Watts  
Bake Element . . . . . 2500 Watts  
**Junction Box:** 6" from left side of unit and 5 1/2" from top of unit.  
**Interior Oven Size:** Width - 18 3/4", Depth - 19 1/2", Height - 16"  
**Approximate Shipping Weight:** 90 lbs.

# Electric Built-In Appliance Specifications

## ELECTRIC COOKTOPS

### Downdraft Cooktops FET-100/FET-170 Peninsula or Island

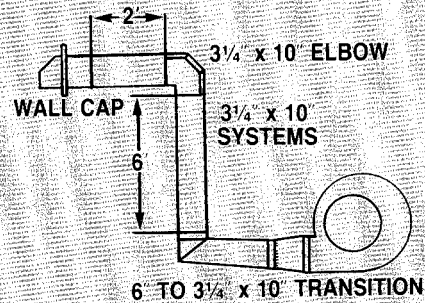
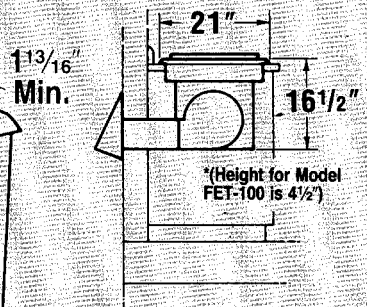
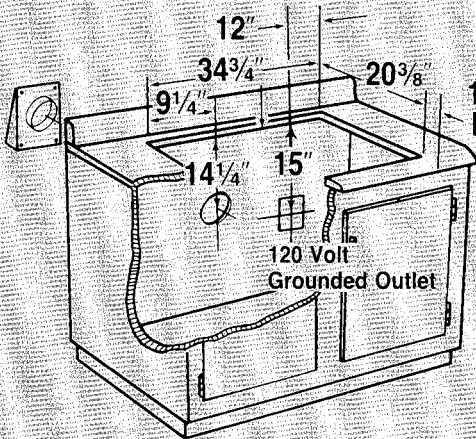


**FET-100/FET-170 Specifications:**  
120/240 Volts, 60 Hz., Grounded Power Supply.

**FET-170 Fixed**  
Perma-Coil 8" Element ..... 2100 Watts  
Perma-Coil 6" Element ..... 1250 Watts  
**Approximate Shipping Weight: FET-100: 75 lbs., FET-170: 85 lbs.**

**Duct Length Recommendations:** 6" Diameter or 3/4" x 10". Recommended 26' Maximum Calculated Length.

### Outside Wall Cabinet



**Important:** It is suggested that no more than three 6", 90° Elbows or 3/4" x 10" Elbows be used.

### Accessory Specifications for FET-100/FET-170:

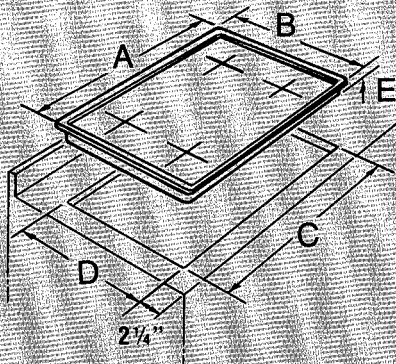
**Perma-Coil® XST-305:**  
240 Volt, 14.0 Amps., 60 Hz.  
8" Element ..... 2100 Watts  
6" Element ..... 1250 Watts  
**Approximate Shipping Weight: 10 lbs.**

**Grille XST-133:** 240 Volts, 2400 Watts, 10 Amps., 60 Hz.  
**Approximate Shipping Weight: 10 lbs.**

**Black Glass XST-307:**  
240 Volts, 2400 Watts, 10 Amps., 60 Hz.  
**Approximate Shipping Weight: 15 lbs.**

**Solid Disc Elements XST-102:**  
240 Volts, 14.5 Amps., 60 Hz.  
8" Element ..... 2000 Watts  
6" Element ..... 1500 Watts  
**Approximate Shipping Weight: 20 lbs.**

### FET-136, FET-130, FET-180 FET-120, FET-178, FET-150, FET-140



#### Dimensions:

	A	B	C	D	E
<b>FET-136</b>	36"	21"	35"	20"	3"
<b>FET-130</b>	30"	21"	28"	20"	3"
<b>FET-180</b>	36"	21"	35"	20"	3/4"
<b>FET-178</b>	36"	21"	35"	20"	3"
<b>FET-150</b>	28 3/4"	21"	27 3/4"	20"	3"
<b>FET-140</b>	21"	16"	20"	15"	3"
<b>FET-120</b>	21"	16"	20"	15"	3"

**FET-136 Specifications:**  
7.0 Kilowatt Rating/240 V. A.C./60 Hz./30 Amps.  
8" Element ..... 2000 Watts  
6" Element ..... 1500 Watts  
**Approximate Shipping Weight: 50 lbs.**

**FET-130 Specifications:**  
7.0 Kilowatt Rating/240 V. A.C./60 Hz./30 Amps.  
8" Element ..... 2000 Watts  
6" Element ..... 1500 Watts  
**Approximate Shipping Weight: 40 lbs.**

**FET-180 Specifications:**  
7.7 Kilowatt Rating/240 V. A.C./60 Hz./31.8 Amps.  
8" Element ..... 2100 Watts  
6" Element ..... 1250 Watts  
**Approximate Shipping Weight: 65 lbs.**

**FET-178/FET-150 Specifications:**  
6.7 Kilowatt Rating/240 V. A.C./60 Hz./27.9 Amps.  
8" Element ..... 2100 Watts  
6" Element ..... 1250 Watts  
**Approximate Shipping Weight: FET-178: 40 lbs., FET-150: 30 lbs.**

**FET-140 Specifications:**  
5.9 Kilowatt Rating/240 V. A.C./60 Hz./24.4 Amps.  
8" Element ..... 2100 Watts  
6" Element ..... 1250 Watts  
**Approximate Shipping Weight: 15 lbs.**

**FET-120 Specifications:**  
2.4 Kilowatt Rating/120 V. A.C./60 Hz./20 Amps.  
8" Element ..... 1500 Watts  
6" Element ..... 900 Watts  
**Approximate Shipping Weight: 15 lbs.**

# Modern Maid Feature Finder

## MODERN MAID BUILT-IN ELECTRIC APPLIANCES

All features not available on all Models. Feature Finder indicates features on individual models.

	RANGES				COOKTOPS								WALL OVENS					
	FDU-170	FDU-160	FDU-146	FDU-158	FET-100	FET-170	FET-136	FET-130	FET-180	FET-178	FET-150	FET-140	FET-120	FDO-162	DDO-790	DDO-750	DCO-480	DCO-450
4" Backrail XBR-182	•	▲	•	▲														
Mini-Rail XBR-378	▲	•	▲	•														
Super-Thin® Cooktop						•	•	•	•	•	•	•						
Black Tempered Glass Cooktop						•	•											
Automatic Clock (D=Digital, R=Radial)	R	R	R	R									D	D	D	R	R	
Automatic Timed Oven System	•	•	•	•									•	•	•	•	•	
One Hour Minute Minder	•	•	•	•									•	•	•	•	•	
Indicator Light	•	•	•	•	•	•	•	•	•	•	•	•	•	•	•	•	•	
Reset Clock Reminder Light	•	•	•	•									•	•	•			
One Piece Lift-Up Overlapping Top	•	•	•	•				•	•	•	•	•						
Raised Outer Edges	•	•	•	•	•	•		•	•	•	•	•						
Lifetime Perma-Coil® Plug-In Elements with Chrome Bowls	•	•	•	•	•	•		•	•	•	•	•						
Solid Disc Elements	▲	▲			▲	▲	•	•										
Five Interchangeable Accessories*	•	•			•	•												
Interchangeable Grille/Griddle								•										
Push-To-Turn Infinite Heat Controls	•	•	•	•	•	•	•	•	•	•	•	•						
Porcelain Burner Box	•	•	•	•	•	•		•	•	•	•	•						
Lift-Off See-Through Oven Doors	•	•	•	•									•	•	•	•	•	
Oven Light	•	•	•	•									•	•	•	•	•	
Oven Cycling Heat Indicator Light													•	•		•		
Whisp Air® Vent System					•	•												
Independent Vent Switch					•	•												
Two-Piece Lift-Out Filter					•	•												
Raised Control Panel					•	•		•	•	•	•	•						
Self Cleaning Oven	•	•	•	•									•	•	•			
Flexibility of Cleaning Time	•	•	•	•									•	•	•			
Perma-Clean® Continuous Cleaning Oven																•	•	
Slo-Cook	•	•	•	•									•	•	•			
Roast Meter with Automatic Meat Probe													•	•				
Closed Door Broiling	•	•	•	•									•	•	•	•	•	
Full Width Storage Drawer	•	•																
Touch Control Microwave Oven													•					
Twin Wave Microwave System													•					
Automatic Multi-Stage Microwave Cooking													•					
Microwave Oven Cook-N-Hold													•					

\*Available Cartridges: Grille, Griddle, Perma-Coil® Elements, Black Glass Solid Disc Elements. ▲ Optional

**MODERN MAID WARRANTY** — Every Modern Maid Range carries a one-year limited parts warranty, the details of which are available through your dealer and Modern Maid Company, and are printed in the Owner's Guide packed with the appliance.

**EXCLUSIVE LIMITED PERMA-COIL® WARRANTY** — Modern Maid extends to the original purchaser of a cooktop, or a range including a cooktop,

a lifetime warranty on the surface heating coil elements. Warranty covers actual replacement of the elements only and does not cover labor, though there is no need for a serviceman in replacing the Perma-Coil surface elements, as they simply plug in or out. Details are available through your dealer and Modern Maid Company, and are printed in the Owners Guide packed with the appliance.

Constant Product Improvement

makes some features subject to change without notice.

**Choice of Colors** — (Available on some models) Select color prefix when ordering: (L) Almond, (W) Snow, (D) Black Glass. See individual product description for availability.

Modern Maid in-warranty service is available through over 2,000 Authorized Service Agents in 50 states.



All Modern Maid Electric Models are listed by U.L., Inc.

Modern Maid Company  
403 N. Main Street  
Topton, Pennsylvania 19562-1499

A1-10-105 3/85

ARS WIL Printed in U.S.A.

**Modern Maid**  
A **Raytheon** Company